

# LOW VOLTAGE CURRENT TRANSFORMER

RISHABH TW SERIES



Data Sheet

ROUND CURRENT  
TRANSFORMER

TW CT SERIES



# LOW VOLTAGE CURRENT TRANSFORMER

# **Applicable standard:** - IEC-61869-1&2 / IEC- 60044 -1, BS 3938, IS 2705 -1,2&3.

# **Case:** - Unfilled polycarbonate, flame retardant grades classified UL 94V-0.

# **Connection:** - M4 screws clamp strap assembly.

# **Insulation class:** - E (120°C max)

# **System voltage:** - 720V maximum

# **Test voltage:** - For Ring (Window) type CT 4KV 50 Hz for 1 min

# **Operating frequency:** - 50Hz / 60 Hz

# **Rated primary rating:** - 50A to 3200A

# **Rated secondary output:** - 5A standard (1A on request)

# **Rated burden:** - 1, 1.25, 1.5, 2.5, 3.75, 5, 7.5, 10, 12.5, 15, 20, 30, 45 VA

# **Class of accuracy:** - 0.2 for laboratory and power measurement  
0.5, 0.5S for accurate measuring, kWh  
1 for general measurement  
3 for indicating instruments

# **Ambient temperature:** - -25°C to +40°C

# **Storage temperature:** - -50°C...+80°C

# **Thermal short circuit current (I<sub>th</sub>):** - 60xI<sub>n</sub> for Bus Bar type CT.

# **Dynamic short circuit current (I<sub>dyn</sub>):** - 2.5xI<sub>th</sub>

# **Instrument security factor (FS):** - 2.5, 5, 10

## Features

# Wide range of system current Ratings.

# Transparent Terminal cover.

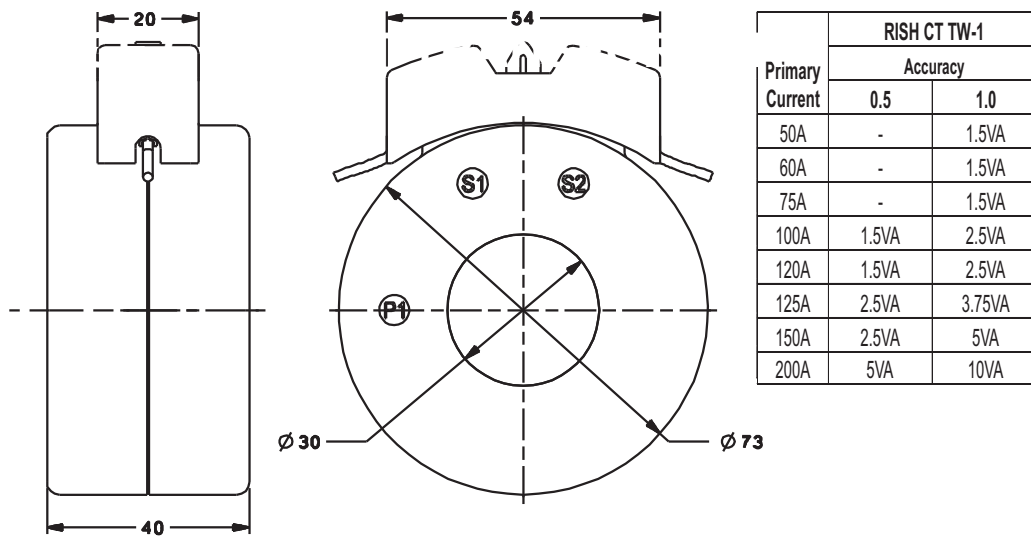
# Various mounting options like Bus bar mounting, Wall mounting.

## APPLICATIONS

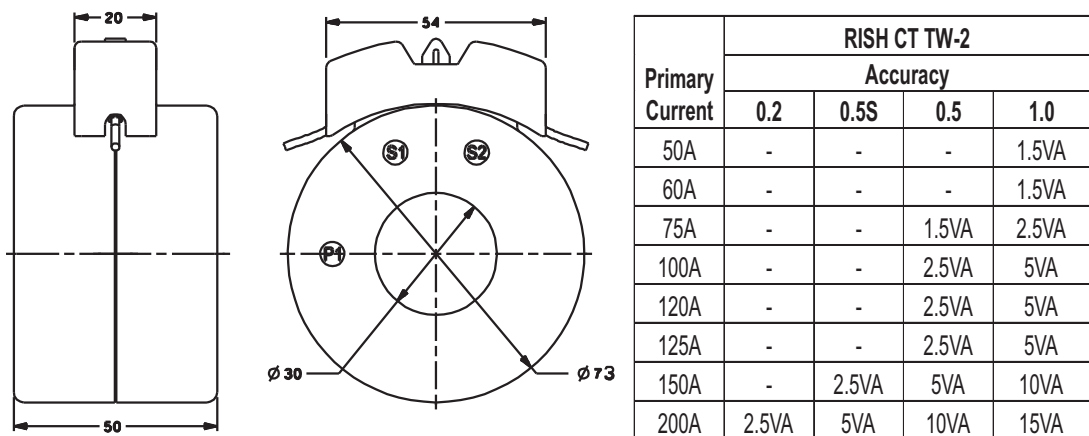
- Switchgear
- Distribution system
- Generator sets
- Control panels
- Overload protection
- Control devices



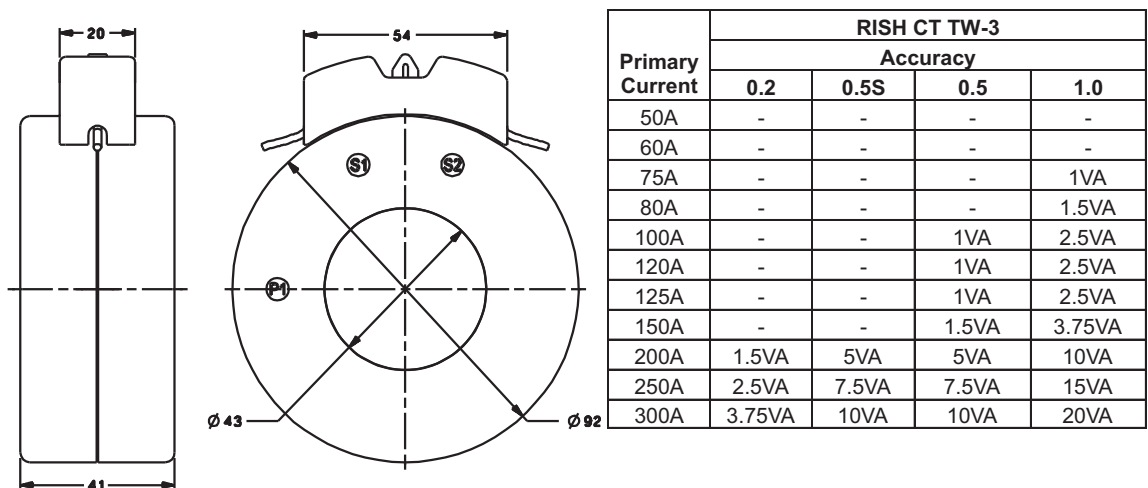
## RISH CT TW - 1



## RISH CT TW - 2

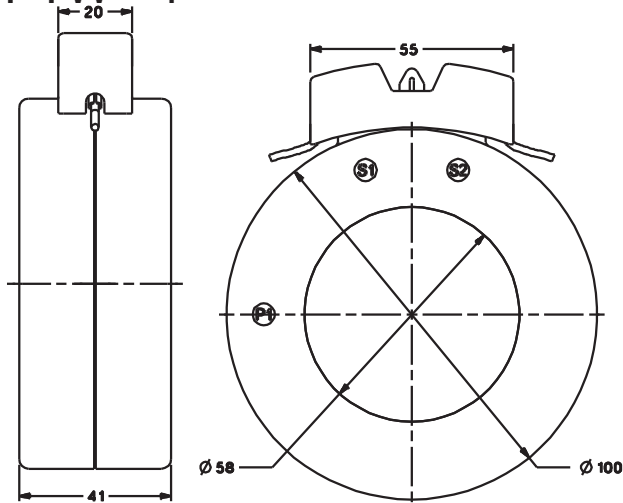


## RISH CT TW - 3



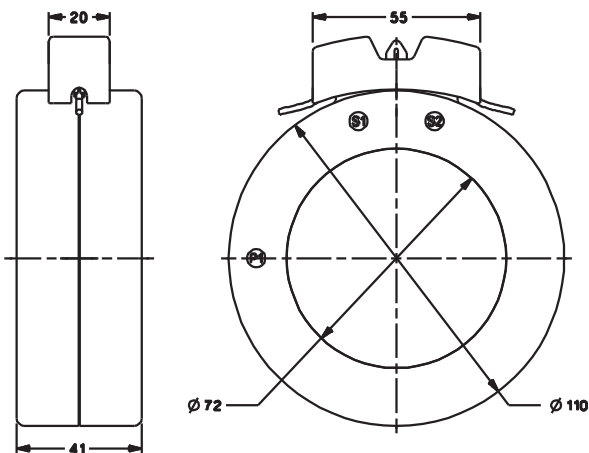
ALL DIMENSIONS ARE IN MM

## RISH CT TW - 4



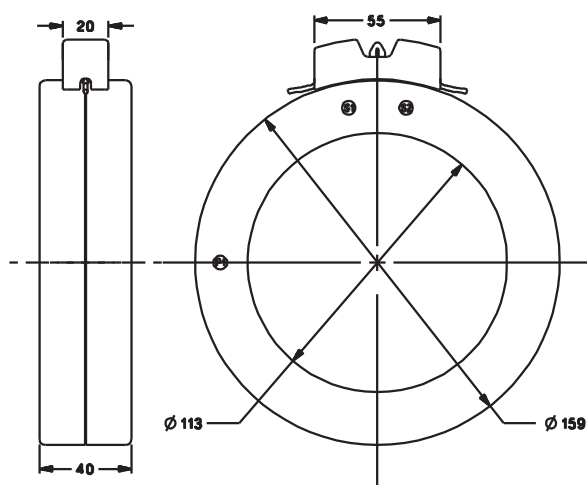
| Primary Current | RISH CT TW-4 |        |        |       |
|-----------------|--------------|--------|--------|-------|
|                 | Accuracy     |        |        |       |
|                 | 0.2          | 0.5S   | 0.5    | 1.0   |
| 120A            | -            | -      | -      | 1VA   |
| 125A            | -            | -      | -      | 1.5VA |
| 150A            | -            | -      | 1VA    | 2.5VA |
| 200A            | -            | 1.5VA  | 2.5VA  | 5VA   |
| 250A            | -            | 2.5VA  | 3.75VA | 7.5VA |
| 300A            | -            | 3.75VA | 5VA    | 10VA  |
| 400A            | 5VA          | 7.5VA  | 10VA   | 20VA  |
| 500A            | 7.5VA        | 10VA   | 15VA   | 25VA  |
| 600A            | 10VA         | 15VA   | 15VA   | 25VA  |

## RISH CT TW - 5



| Primary Current | RISH CT TW-5 |       |       |        |
|-----------------|--------------|-------|-------|--------|
|                 | Accuracy     |       |       |        |
|                 | 0.2          | 0.5S  | 0.5   | 1.0    |
| 200A            | -            | -     | -     | 1.5VA  |
| 250A            | -            | -     | 1.5VA | 2.5VA  |
| 300A            | -            | -     | 2.5VA | 5VA    |
| 400A            | 2.5VA        | 5VA   | 7.5VA | 12.5VA |
| 500A            | 3.75VA       | 7.5VA | 10VA  | 15VA   |
| 600A            | 5VA          | 7.5VA | 10VA  | 15VA   |
| 800A            | 10VA         | 15VA  | 15VA  | 30VA   |
| 1000A           | 10VA         | 15VA  | 15VA  | 30VA   |

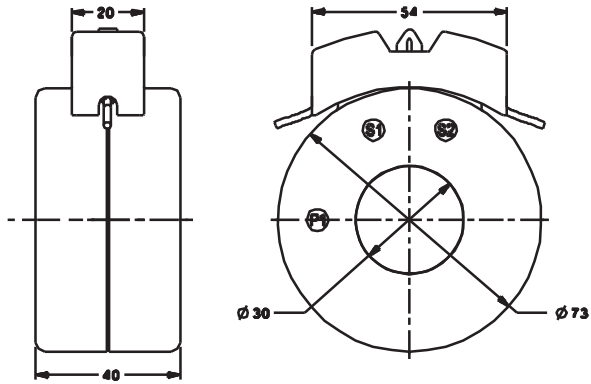
## RISH CT TW - 6



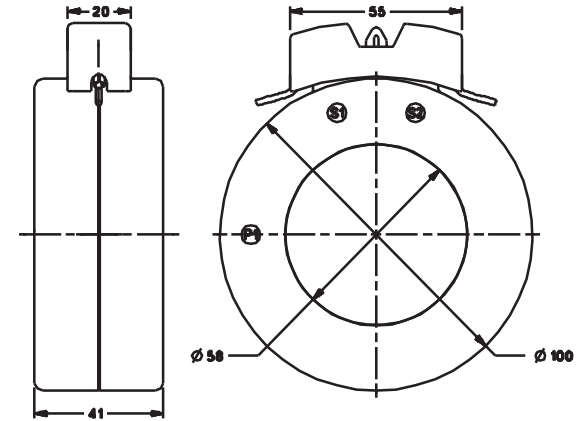
| Primary Current | RISH CT TW-6 |        |      |      |
|-----------------|--------------|--------|------|------|
|                 | Accuracy     |        |      |      |
|                 | 0.2          | 0.5S   | 0.5  | 1.0  |
| 600A            | 1.5VA        | 3.75VA | 5VA  | 10VA |
| 800A            | 2.5VA        | 7.5VA  | 10VA | 15VA |
| 1000A           | 3.75VA       | 7.5VA  | 10VA | 15VA |
| 1200A           | 15VA         | 15VA   | 20VA | 30VA |
| 1250A           | 15VA         | 15VA   | 20VA | 30VA |
| 1500A           | 15VA         | 15VA   | 20VA | 30VA |
| 1600A           | 15VA         | 15VA   | 20VA | 30VA |
| 2000A           | 15VA         | 20VA   | 25VA | 45VA |
| 2500A           | 15VA         | 20VA   | 25VA | 45VA |
| 3000A           | 15VA         | 25VA   | 30VA | 45VA |
| 3200A           | 15VA         | 25VA   | 30VA | 45VA |

ALL DIMENSIONS ARE IN MM

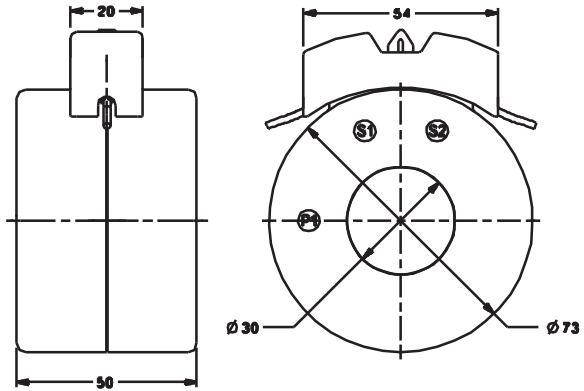
RISH CT TW - 1



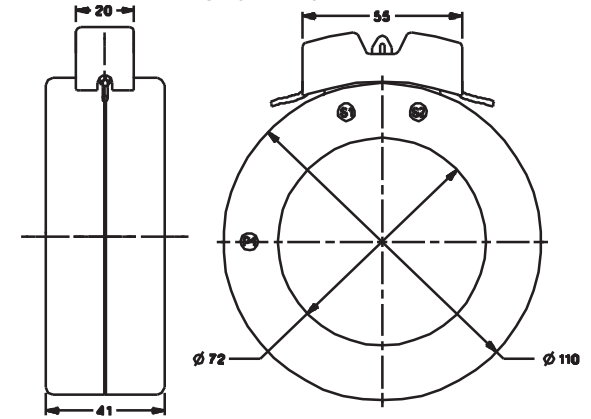
RISH CT TW - 4



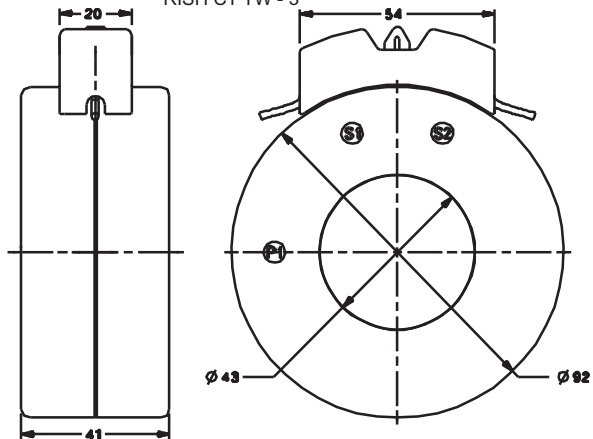
RISH CT TW - 2



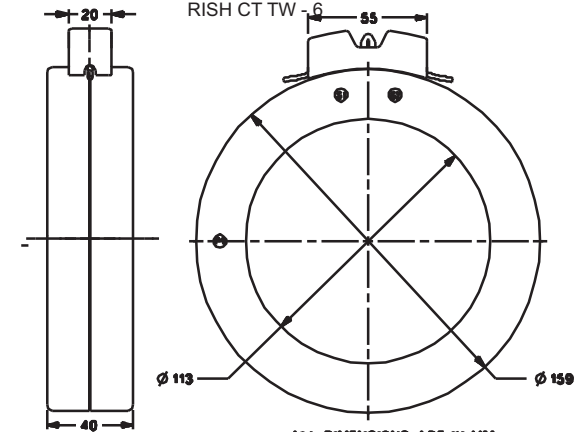
RISH CT TW - 5



RISH CT TW - 3



RISH CT TW - 6



ALL DIMENSIONS ARE IN MM

# RISH CT SERIES CURRENT TRANSFORMER RANGES



| Primary Current | RISH CT TW-1 |        | RISH CT TW-2 |       |       |       | RISH CT TW-3 |       |       |        |
|-----------------|--------------|--------|--------------|-------|-------|-------|--------------|-------|-------|--------|
|                 | Accuracy     |        | Accuracy     |       |       |       | Accuracy     |       |       |        |
|                 | 0.5          | 1.0    | 0.2          | 0.5S  | 0.5   | 1.0   | 0.2          | 0.5S  | 0.5   | 1.0    |
| 50A             | -            | 1.5VA  | -            | -     | -     | 1.5VA | -            | -     | -     | -      |
| 60A             | -            | 1.5VA  | -            | -     | -     | 1.5VA | -            | -     | -     | -      |
| 75A             | -            | 1.5VA  | -            | -     | 1.5VA | 2.5VA | -            | -     | -     | 1VA    |
| 80A             | -            | -      | -            | -     | -     | -     | -            | -     | -     | 1.5VA  |
| 100A            | 1.5VA        | 2.5VA  | -            | -     | 2.5VA | 5VA   | -            | -     | 1VA   | 2.5VA  |
| 120A            | 1.5VA        | 2.5VA  | -            | -     | 2.5VA | 5VA   | -            | -     | 1VA   | 2.5VA  |
| 125A            | 2.5VA        | 3.75VA | -            | -     | 2.5VA | 5VA   | -            | -     | 1VA   | 2.5VA  |
| 150A            | 2.5VA        | 5VA    | -            | 2.5VA | 5VA   | 10VA  | -            | -     | 1.5VA | 3.75VA |
| 200A            | 5VA          | 10VA   | 2.5VA        | 5VA   | 10VA  | 15VA  | 1.5VA        | 5VA   | 5VA   | 10VA   |
| 250A            | -            | -      | -            | -     | -     | -     | 2.5VA        | 7.5VA | 7.5VA | 15VA   |
| 300A            | -            | -      | -            | -     | -     | -     | 3.75VA       | 10VA  | 10VA  | 20VA   |

| Primary Current | RISH CT TW-4 |        |        |       | RISH CT TW-5 |       |       |        | RISH CT TW-6 |        |      |      |
|-----------------|--------------|--------|--------|-------|--------------|-------|-------|--------|--------------|--------|------|------|
|                 | Accuracy     |        |        |       | Accuracy     |       |       |        | Accuracy     |        |      |      |
|                 | 0.2          | 0.5S   | 0.5    | 1.0   | 0.2          | 0.5S  | 0.5   | 1.0    | 0.2          | 0.5S   | 0.5  | 1.0  |
| 100A            | -            | -      | -      | -     | -            | -     | -     | -      | -            | -      | -    | -    |
| 120A            | -            | -      | -      | 1VA   | -            | -     | -     | -      | -            | -      | -    | -    |
| 125A            | -            | -      | -      | 1.5VA | -            | -     | -     | -      | -            | -      | -    | -    |
| 150A            | -            | -      | 1VA    | 2.5VA | -            | -     | -     | -      | -            | -      | -    | -    |
| 200A            | -            | 1.5VA  | 2.5VA  | 5VA   | -            | -     | -     | 1.5VA  | -            | -      | -    | -    |
| 250A            | -            | 2.5VA  | 3.75VA | 7.5VA | -            | -     | 1.5VA | 2.5VA  | -            | -      | -    | -    |
| 300A            | -            | 3.75VA | 5VA    | 10VA  | -            | -     | 2.5VA | 5VA    | -            | -      | -    | -    |
| 400A            | 5VA          | 7.5VA  | 10VA   | 20VA  | 2.5VA        | 5VA   | 7.5VA | 12.5VA | -            | -      | -    | -    |
| 500A            | 7.5VA        | 10VA   | 15VA   | 25VA  | 3.75VA       | 7.5VA | 10VA  | 15VA   | -            | -      | -    | -    |
| 600A            | 10VA         | 15VA   | 15VA   | 25VA  | 5VA          | 7.5VA | 10VA  | 15VA   | 1.5VA        | 3.75VA | 5VA  | 10VA |
| 800A            | -            | -      | -      | -     | 10VA         | 15VA  | 15VA  | 30VA   | 2.5VA        | 7.5VA  | 10VA | 15VA |
| 1000A           | -            | -      | -      | -     | 10VA         | 15VA  | 15VA  | 30VA   | 3.75VA       | 7.5VA  | 10VA | 15VA |
| 1200A           | -            | -      | -      | -     | -            | -     | -     | -      | 15VA         | 15VA   | 20VA | 30VA |
| 1250A           | -            | -      | -      | -     | -            | -     | -     | -      | 15VA         | 15VA   | 20VA | 30VA |
| 1500A           | -            | -      | -      | -     | -            | -     | -     | -      | 15VA         | 15VA   | 20VA | 30VA |
| 1600A           | -            | -      | -      | -     | -            | -     | -     | -      | 15VA         | 15VA   | 20VA | 30VA |
| 2000A           | -            | -      | -      | -     | -            | -     | -     | -      | 15VA         | 20VA   | 25VA | 45VA |
| 2500A           | -            | -      | -      | -     | -            | -     | -     | -      | 15VA         | 20VA   | 25VA | 45VA |
| 3000A           | -            | -      | -      | -     | -            | -     | -     | -      | 15VA         | 25VA   | 30VA | 45VA |
| 3200A           | -            | -      | -      | -     | -            | -     | -     | -      | 15VA         | 25VA   | 30VA | 45VA |

